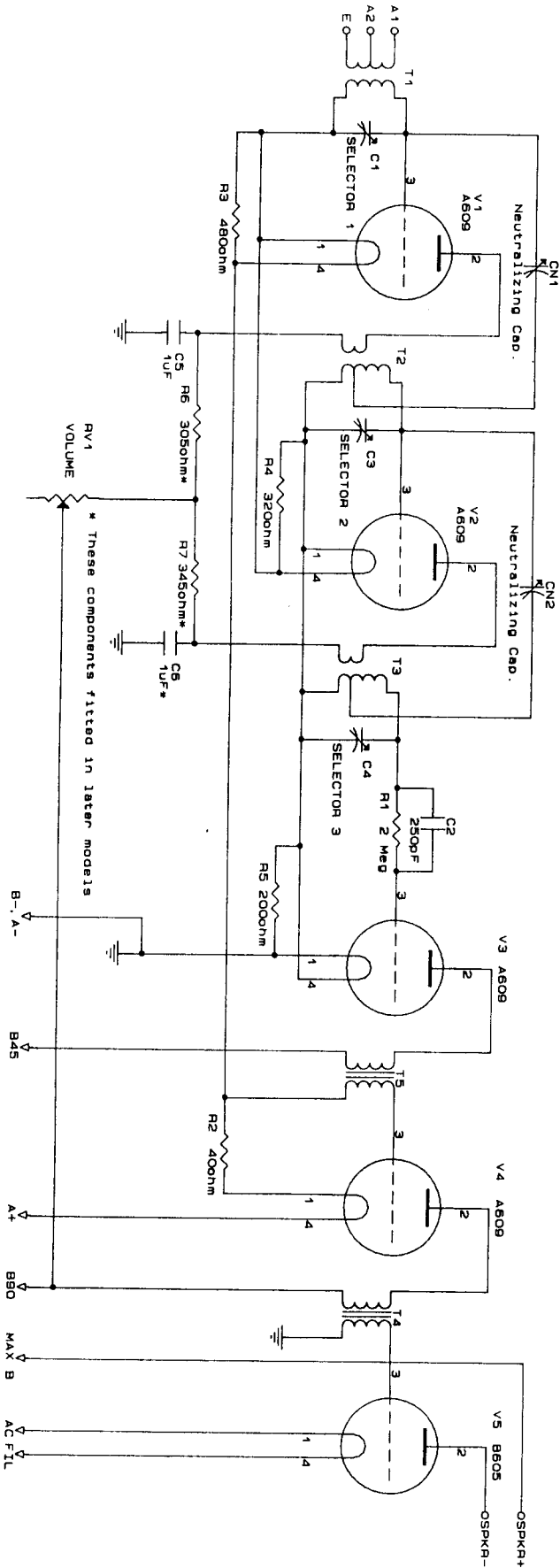


Vintage Radio Circuits	
Title	Astor 5 Neutrodyne A.C. Power Supply
Size	Document Number
A	REV
Date:	July 15, 1993 Sheet 2 of 2



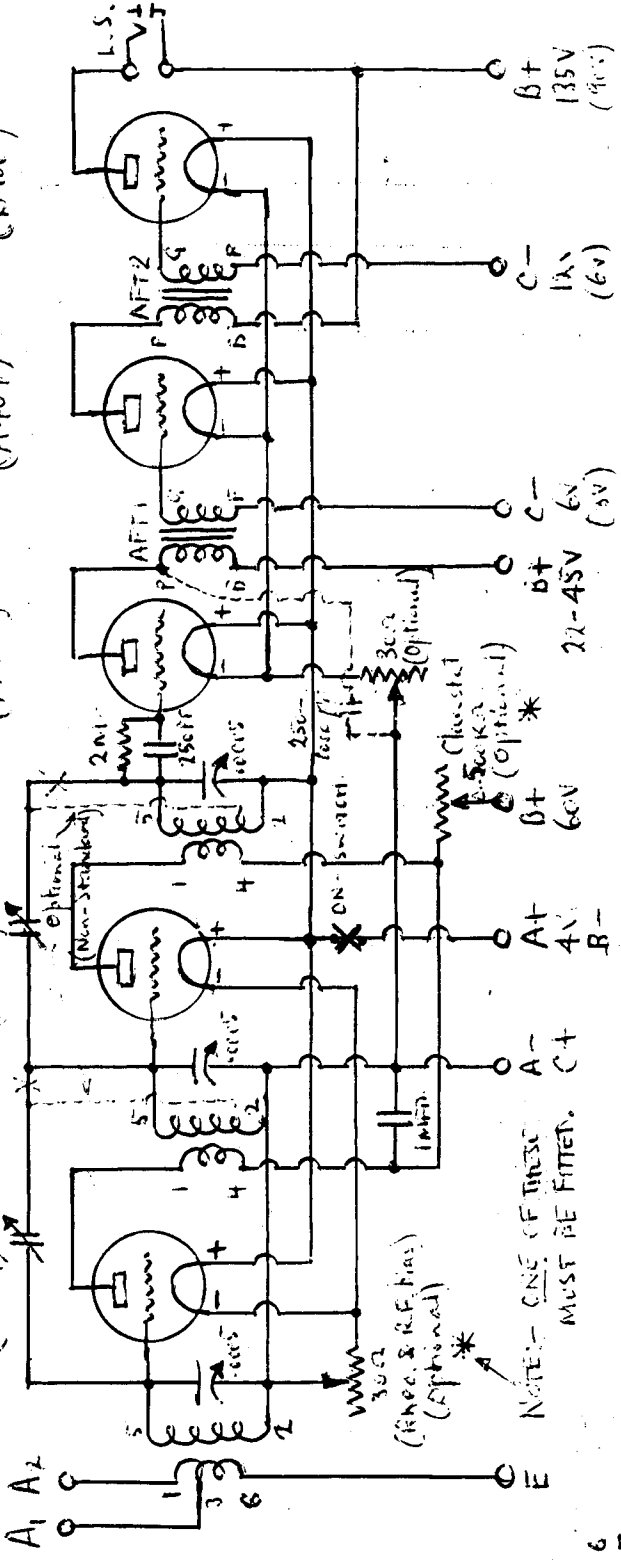
Vintage Radio Circuits	
Title Astor 5 Neutrodyne. AC Model	
Size Document Number	
B	REV A
Date: July 12, 1983 Sheet 1 of 1	

A609 (A409) B605 (B406)

A609 (A415)

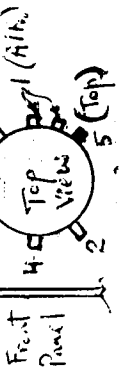
A609 (A409) Nc2 (Non-Standard)

A609 (A409) Nc1



ASTOR 5 NEUTRODYNE

M.J.O'B. JUNE 76.



NOTE - ONE OF THESE MUST BE FITTED.